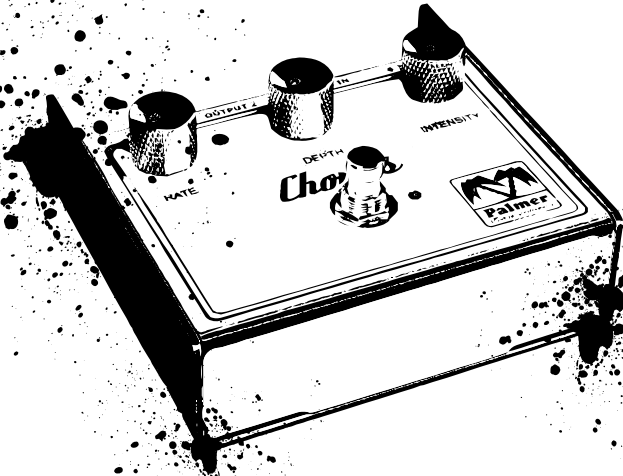


DEFINE
YOUR TONE



PECHOR CHORUS



USER'S MANUAL
BEDIENUNGSANLEITUNG
MANUEL D'UTILISATION
MANUAL DE USUARIO



DEFINE
YOUR TONE

DEFINE

YOUR

TONE

DEFINE
YOUR TONE



INTRODUCTION

Congratulations on your purchase of the PALMER Chorus Pedal! Featuring a heavy duty footswitch and steel housing this high quality effect provides state-of-the-art multi-voice chorusing that is rich in depth and lush in intensity. Separate Rate, Depth and Intensity controls allow for a wide range of settings.

ES

FR

DE

EN



DEFINE
YOUR TONE

SAFETY INFORMATION

1. Please read these instructions carefully.
2. Keep all information and instructions in a safe place.
3. Follow the instructions.
4. Observe all safety warnings. Never remove safety warnings or other information from the equipment.
5. Use the equipment only in the intended manner and for the intended purpose.
6. Use only sufficiently stable and compatible stands and/or mounts (for fixed installations). Make certain that wall mounts are properly installed and secured. Make certain that the equipment is installed securely and cannot fall down.
7. During installation, observe the applicable safety regulations for your country.
8. Never install and operate the equipment near radiators, heat registers, ovens or other sources of heat. Make certain that the equipment is always installed so that is cooled sufficiently and cannot overheat.
9. Never place sources of ignition, e.g., burning candles, on the equipment.
10. Ventilation slits must not be blocked.
11. Do not use this equipment in the immediate vicinity of water (does not apply to special outdoor equipment - in this case, observe the special instructions noted below. Do not expose this equipment to flammable materials, fluids or gases.
12. Make certain that dripping or splashed water cannot enter the equipment. Do not place containers filled with liquids, such as vases or drinking vessels, on the equipment.
13. Make certain that objects cannot fall into the device.

DEFINE YOUR TONE



14. Use this equipment only with the accessories recommended and intended by the manufacturer.
15. Do not open or modify this equipment.
16. After connecting the equipment, check all cables in order to prevent damage or accidents, e.g., due to tripping hazards.
17. During transport, make certain that the equipment cannot fall down and possibly cause property damage and personal injuries.
18. If your equipment is no longer functioning properly, if fluids or objects have gotten inside the equipment or if it has been damaged in another way, switch it off immediately and unplug it from the mains outlet (if it is a powered device). This equipment may only be repaired by authorized, qualified personnel.
19. Clean the equipment using a dry cloth.
20. Comply with all applicable disposal laws in your country. During disposal of packaging, please separate plastic and paper/cardboard.
21. Plastic bags must be kept out of reach of children.

FOR EQUIPMENT THAT CONNECTS TO THE POWER MAINS:

22. CAUTION: If the power cord of the device is equipped with an earthing contact, then it must be connected to an outlet with a protective ground. Never deactivate the protective ground of a power cord.
23. If the equipment has been exposed to strong fluctuations in temperature (for example, after transport), do not switch it on immediately. Moisture and condensation could damage the equipment. Do not switch on the equipment until it has reached room temperature.
24. Before connecting the equipment to the power outlet, first verify that the mains voltage and frequency match the values specified on the equipment. If the equipment

ES

FR

DE

EN



DEFINE YOUR TONE

- has a voltage selection switch, connect the equipment to the power outlet only if the equipment values and the mains power values match. If the included power cord or power adapter does not fit in your wall outlet, contact your electrician.
25. Do not step on the power cord. Make certain that the power cable does not become kinked, especially at the mains outlet and/or power adapter and the equipment connector.
 26. When connecting the equipment, make certain that the power cord or power adapter is always freely accessible. Always disconnect the equipment from the power supply if the equipment is not in use or if you want to clean the equipment. Always unplug the power cord and power adapter from the power outlet at the plug or adapter and not by pulling on the cord. Never touch the power cord and power adapter with wet hands.
 27. Whenever possible, avoid switching the equipment on and off in quick succession because otherwise this can shorten the useful life of the equipment.
 28. **IMPORTANT INFORMATION:** Replace fuses only with fuses of the same type and rating. If a fuse blows repeatedly, please contact an authorised service centre.
 29. To disconnect the equipment from the power mains completely, unplug the power cord or power adapter from the power outlet.
 30. If your device is equipped with a Volex power connector, the mating Volex equipment connector must be unlocked before it can be removed. However, this also means that the equipment can slide and fall down if the power cable is pulled, which can lead to personal injuries and/or other damage. For this reason, always be careful when laying cables.
 31. Unplug the power cord and power adapter from the power.

DEFINE YOUR TONE



outlet if there is a risk of a lightning strike or before extended periods of disuse.



CAUTION:

Never remove the cover, because otherwise there may be a risk of electric shock. There are no user serviceable parts inside. Have repairs carried out only by qualified service personnel.



The lightning flash with arrowhead symbol within an equilateral triangle is intended to alert the user to the presence of uninsulated „dangerous voltage“ within the product's enclosure that may be of sufficient magnitude to constitute a risk of electrical shock.



The exclamation mark within an equilateral triangle is intended to alert the user to the presence of important operating and maintenance instructions.

CAUTION - HIGH VOLUME LEVELS WITH AUDIO PRODUCTS!

This equipment is intended for professional use. Therefore, commercial use of this equipment is subject to the respectively applicable national accident prevention rules and regulations. As a manufacturer, Adam Hall is obligated to notify you formally about the existence of potential health risks. Hearing damage due to high volume and prolonged exposure: When in use, this product is capable of producing high sound-pressure levels (SPL) that can lead to irreversible hearing damage in performers, employees, and audience members. For this reason, avoid prolonged exposure to volumes in excess of 90 dB.

ES
FR
DE
EN



DEFINE YOUR TONE

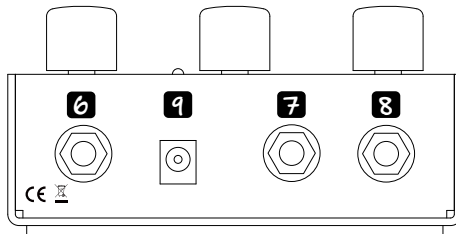
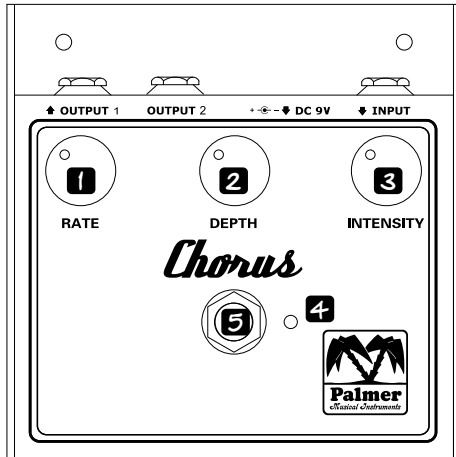
CAUTION! IMPORTANT INFORMATION ABOUT LIGHTING PRODUCTS

1. Do not look into the beam from a distance of less than 40 cm.
2. Do not stare into the beam for extended periods at short-to-medium distances.
3. Do not view the beam directly with optical instruments such as magnifiers.
4. Under some circumstances, stroboscopic effects may trigger epileptic seizures in sensitive individuals! For this reason, persons who suffer from epilepsy should always avoid places where strobe lights are used.

DEFINE
YOUR TONE



PANEL





DEFINE YOUR TONE

PANEL DESCRIPTION

1 RATE CONTROL

Adjusts the speed of the modulation. Turning this control clockwise increases the speed. Turning it counterclockwise decreases the speed.

2 DEPTH CONTROL

Adjusts the amount of modulation. Turning it clockwise increases the depth of modulation. Turning it counterclockwise decreases the depth of modulation.

3 INTENSITY CONTROL

Adjusts the amount of Chorus effect that is added to the signal. Turning it clockwise increases the amount of chorus added. Turning it counterclockwise decreases the amount of chorus added.

4 LED

When lit the pedal is "active" or "on". It also serves as a battery level indicator.

5 ON/OFF SWITCH

This switch determines whether the pedal is "active" or "bypassed". When "active" the red LED will be lit. When "bypassed" the LED will not be lit.

6 IN

Use a quality instrument-cable with 1/4" jacks to plug your guitar in to this jack

DEFINE YOUR TONE



7 OUTPUT JACK A

Use a quality instrument cable with 1/4" jacks to connect this to the input of your guitar amplifier or next stomp box in the signal chain. When using the Chorus pedal in mono (plugging into only one amplifier) use this output jack. For stereo use (plugging into two amplifiers) this jack is the left output.

8 OUTPUT JACK B

For stereo use (plugging into two amplifiers) this jack is the right output.

9 9VDC

Connect an optional 9-Volt DC power supply (PALMER PW9V or PWT12) to this socket. For details, see "POWER SUPPLY".

ES

FR

DE

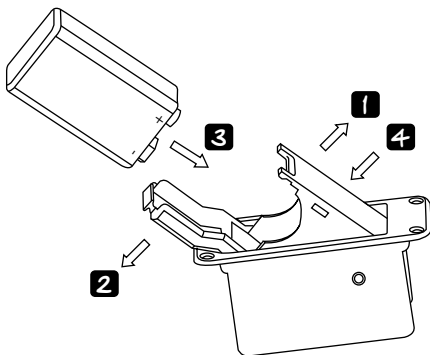
EN



DEFINE YOUR TONE

BATTERY INSERTION AND REPLACEMENT

The 9-volt battery is a 6LF22 block battery. The battery compartment is easily accessible on the bottom of the unit. The unit consumes battery power even in the bypass setting. When you are not using the unit, always disconnect the cable from the input to extend battery life.



- 1 Lift up battery holder
- 2 Open flap
- 3 Insert battery (observe correct polarity)
- 4 Close battery holder

DEFINE
YOUR TONE



POWER SUPPLY

Battery: 9V Euroblock 6LF22

Power consumption: approx. 15mA

Power adapter: 9V DC (regulated), 50 mA or higher
5.0 x 2.1 mm 5.0 x 2.1 mm plug, pin negative

WARNING: Use only a DC power adapter or a battery (9V block) to avoid damaging the unit and voiding the warranty!

SPECIFICATIONS

Input impedance:	1 M Ω
Output impedance:	100 k
Intrinsic noise:	-85dB, all controls in center position
Controls:	RATE, DEPTH, INTENSITY
Indicator:	LED
Connections:	IN, OUT, DC adaptor jack, 9V DC adaptor
Power consumption:	20 mA (9 V DC)
Dimensions [W x D x H]:	120 x 95 x 56 mm 4.72" x 3.74" x 2.2"
Weight:	380g/ 0.851lb

Adam Hall GmbH, all rights reserved. The technical data and the functional product characteristics can be subject to modifications.



DEFINE
YOUR TONE

MANUFACTURER'S WARRANTY

This warranty covers the Adam Hall, LD Systems, Defender, Palmer, and Cameo brands.

It applies to all products distributed by Adam Hall. This warranty declaration does not affect the statutory warranty claims against the manufacturer, but expands them with additional warranty claims vis-a-vis Adam Hall.

Adam Hall warrants that the Adam Hall product that you have purchased from Adam Hall or from an Adam Hall authorized reseller is free from defects in materials or workmanship under normal use for a period of 2 or 5 years (please inquire on a product-by-product basis) from the date of purchase.

The warranty period begins on the date on which the product was purchased, proof of which must be produced (through presentation of the invoice or the delivery note with the date of purchase) in the event of a warranty claim. Should products of the brands named above be in need of repair within the limited warranty period, you are entitled to warranty service according to the terms and conditions stated here.

During the Limited Warranty Period, Adam Hall will repair or replace the defective component parts or the product. In the event of repair or replacement during the Limited Warranty Period, the replaced original parts and/or products become property of Adam Hall.

In the unlikely event that the product which you purchased has a recurring failure, Adam Hall has the right, at its

DEFINE
YOUR TONE



discretion, to replace the defective product with another product, provided that the new product is at least equivalent to the product being replaced with regard to the technical specifications.

Adam Hall does not warrant that the operation of this product will be uninterrupted or error-free. Adam Hall is not responsible for damage that occurs as a result of your failure to follow the instructions included with the Adam Hall branded product. The manufacturer's warranty does not cover - expendable parts (e. g., rechargeable batteries) - products from which the serial number has been removed or with a serial number that has been damaged as a result of an accident - damage due to improper use, user error or other external reasons

- damage to devices operated outside the usage parameters stated in the documentation included with the product
- damage due to the use of replacement parts not manufactured, sold or recommended by Adam Hall,
- damage due to modification or servicing by anyone other than Adam Hall.

These terms and conditions constitute the complete and exclusive warranty agreement between you and Adam Hall regarding the Adam Hall branded product you have purchased.

LIMITATION OF LIABILITY

If your Adam Hall branded hardware product fails to work as warranted above, your sole and exclusive remedy shall be repair or replacement. Adam Hall's maximum liability under this limited warranty is expressly limited to the lesser of the price you have paid for the product or the cost of repair or replacement of any components that malfunction under conditions of normal use.

ES
FR
DE
EN



DEFINE YOUR TONE

Adam Hall is not liable for any damages caused by the product or the failure of the product, including any lost profits or savings or special, incidental, or consequential damages. Adam Hall is not liable for any claim made by a third party or made by you for a third party.

This limitation of liability applies whether damages are sought, or claims are made, under this Limited Warranty or as a tort claim (including negligence and strict product liability), a contract claim, or any other claim, and cannot be rescinded or changed by anyone. This limitation of liability will be effective even if you have advised Adam Hall or an authorized representative of Adam Hall of the possibility of any such damages, but not, however, in the event of claims for damages in connection with personal injuries.

This manufacturer's warranty grants you specific rights; depending on jurisdiction (nation or state), you may be entitled to additional claims. You are advised to consult applicable state or national laws for a full determination of your rights.

REQUESTING WARRANTY SERVICE

To request warranty service for the product, contact Adam Hall or the Adam Hall authorized reseller from which you purchased the product.

EC DECLARATION OF CONFORMITY

The equipment marketed by Adam Hall complies (where applicable) with the essential requirements and other relevant

DEFINE YOUR TONE



specifications of Directives 1999/5/EC (R&TTE), 2004/108/EC (EMC) und 2006/95/EC (LVD). Additional information can be found at www.adamhall.com.

PROPER DISPOSAL OF THIS PRODUCT (WASTE ELECTRICAL AND ELECTRONIC EQUIPMENT)



(Valid in the European Union and other European countries with waste separation)

This symbol on the product, or the documents accompanying the product, indicates that this appliance may not be treated as household waste. This is to avoid environmental damage or personal injury due to uncontrolled waste disposal. Please dispose of this product separately from other waste and have it recycled to promote sustainable economic activity.

Household users should contact either the retailer where they purchased this product, or their local government office, for details on where and how they can recycle this item in an environmentally friendly manner.

Business users should contact their supplier and check the terms and conditions of the purchase contract. This product should not be mixed with other commercial wastes for disposal

ENVIRONMENTAL PROTECTION AND ENERGY CONSERVATION

Energy conservation is an active contribution to environmental protection. Please turn off all unneeded electrical devices. To prevent unneeded devices from consuming power in standby mode, disconnect the mains plug.



DEFINE
YOUR TONE

DEFINE

YOUR

TONE

DEFINE
YOUR TONE



EINFÜHRUNG

Vielen Dank, dass Sie sich für das PALMER PECHOR Chorus-Pedal entschieden haben. Klassische, sanft schwebende Chorus-Sounds lassen sich ebenso leicht verwirklichen wie moderne und extreme Einstellungen, und der zusätzliche Intensity-Regler erweitert das Effekt-Spektrum ungemein. Mit dem robusten Metallgehäuse und einem stabilen Fußschalter ist der PALMER Chorus absolut roadtauglich.

ES

FR

DE

EN



DEFINE YOUR TONE

SICHERHEITSHINWEISE

1. Lesen Sie diese Anleitung bitte sorgfältig durch.
2. Bewahren Sie alle Informationen und Anleitungen an einem sicheren Ort auf.
3. Befolgen Sie die Anweisungen.
4. Beachten Sie alle Warnhinweise. Entfernen Sie keine Sicherheitshinweise oder andere Informationen vom Gerät.
5. Verwenden Sie das Gerät nur in der vorgesehenen Art und Weise.
6. Verwenden Sie ausschließlich stabile und passende Stative bzw. Befestigungen (bei Festinstallationen). Stellen Sie sicher, dass Wandhalterungen ordnungsgemäß installiert und gesichert sind. Stellen Sie sicher, dass das Gerät sicher installiert ist und nicht herunterfallen kann.
7. Beachten Sie bei der Installation die für Ihr Land geltenden Sicherheitsvorschriften.
8. Installieren und betreiben Sie das Gerät nicht in der Nähe von Heizkörpern, Wärmespeichern, Öfen oder sonstigen Wärmequellen. Sorgen Sie dafür, dass das Gerät immer so installiert ist, dass es ausreichend gekühlt wird und nicht überhitzen kann.
9. Platzieren Sie keine Zündquellen wie z.B. brennende Kerzen auf dem Gerät.
10. Lüftungsschlitze dürfen nicht blockiert werden.
11. Betreiben Sie das Gerät nicht in unmittelbarer Nähe von Wasser (gilt nicht für spezielle Outdoor Geräte - beachten Sie in diesem Fall bitte die im Folgenden vermerkten Sonderhinweise). Bringen Sie das Gerät nicht mit brennbaren Materialien, Flüssigkeiten oder Gasen in Berührung.
12. Sorgen Sie dafür, dass kein Tropf- oder Spritzwasser in

DEFINE YOUR TONE



- das Gerät eindringen kann. Stellen Sie keine mit Flüssigkeit gefüllten Behältnisse wie Vasen oder Trinkgefäße auf das Gerät.
13. Sorgen Sie dafür, dass keine Gegenstände in das Gerät fallen können.
 14. Betreiben Sie das Gerät nur mit dem vom Hersteller empfohlenen und vorgesehenen Zubehör.
 15. Öffnen Sie das Gerät nicht und verändern Sie es nicht.
 16. Überprüfen Sie nach dem Anschluss des Geräts alle Kabelwege, um Schäden oder Unfälle, z. B. durch Stolperfallen zu vermeiden.
 17. Achten Sie beim Transport darauf, dass das Gerät nicht herunterfallen und dabei möglicherweise Sach- und Personenschäden verursachen kann.
 18. Wenn Ihr Gerät nicht mehr ordnungsgemäß funktioniert, Flüssigkeiten oder Gegenstände in das Geräteinnere gelangt sind, oder das Gerät anderweitig beschädigt wurde, schalten Sie es sofort aus und trennen es von der Netzsteckdose (sofern es sich um ein aktives Gerät handelt). Dieses Gerät darf nur von autorisiertem Fachpersonal repariert werden.
 19. Verwenden Sie zur Reinigung des Geräts ein trockenes Tuch.
 20. Beachten Sie alle in Ihrem Land geltenden Entsorgungsgesetze. Trennen Sie bei der Entsorgung der Verpackung bitte Kunststoff und Papier bzw. Kartonagen voneinander.
 21. Kunststoffbeutel müssen außer Reichweite von Kindern aufbewahrt werden

BEI GERÄTEN MIT NETZANSCHLUSS:

22. ACHTUNG: Wenn das Netzkabel des Geräts mit einem Schutzkontakt ausgestattet ist, muss es an einer Steck-

ES

FR

DE

EN



DEFINE YOUR TONE

- dose mit Schutzleiter angeschlossen werden. Deaktivieren Sie niemals den Schutzleiter eines Netzkabels.
23. Schalten Sie das Gerät nicht sofort ein, wenn es starken Temperaturschwankungen ausgesetzt war (beispielsweise nach dem Transport). Feuchtigkeit und Kondensat könnten das Gerät beschädigen. Schalten Sie das Gerät erst ein, wenn es Zimmertemperatur erreicht hat.
 24. Bevor Sie das Gerät an die Steckdose anschließen, prüfen Sie zuerst, ob die Spannung und die Frequenz des Stromnetzes mit den auf dem Gerät angegebenen Werten übereinstimmen. Verfügt das Gerät über einen Spannungswahlschalter, schließen Sie das Gerät nur an die Steckdose an, wenn die Gerätewerte mit den Werten des Stromnetzes übereinstimmen. Wenn das mitgelieferte Netzkabel bzw. der mitgelieferte Netzadapter nicht in Ihre Netzsteckdose passt, wenden Sie sich an Ihren Elektriker.
 25. Treten Sie nicht auf das Netzkabel. Sorgen Sie dafür, dass spannungsführende Kabel speziell an der Netzbuchse bzw. am Netzadapter und der Gerätebuchse nicht geknickt werden.
 26. Achten Sie bei der Verkabelung des Geräts immer darauf, dass das Netzkabel bzw. der Netzadapter stets frei zugänglich ist. Trennen Sie das Gerät stets von der Stromzuführung, wenn das Gerät nicht benutzt wird, oder Sie das Gerät reinigen möchten. Ziehen Sie Netzkabel und Netzadapter immer am Stecker bzw. am Adapter und nicht am Kabel aus der Steckdose. Berühren Sie Netzkabel und Netzadapter niemals mit nassen Händen.
 27. Schalten Sie das Gerät möglichst nicht schnell hintereinander ein und aus, da sonst die Lebensdauer des Geräts beeinträchtigt werden könnte.
 28. **WICHTIGER HINWEIS:** Ersetzen Sie Sicherungen auss-

DEFINE YOUR TONE



- chließlich durch Sicherungen des gleichen Typs und Wertes. Sollte eine Sicherung wiederholt auslösen, wenden Sie sich bitte an ein autorisiertes Servicezentrum.
29. Um das Gerät vollständig vom Stromnetz zu trennen, entfernen Sie das Netzkabel bzw. den Netzadapter aus der Steckdose.
 30. Wenn Ihr Gerät mit einem Volex-Netzanschluss bestückt ist, muss der passende Volex-Gerätestecker entsperrt werden, bevor er entfernt werden kann. Das bedeutet aber auch, dass das Gerät durch ein Ziehen am Netzkabel verrutschen und herunterfallen kann, wodurch Personen verletzt werden und/oder andere Schäden auftreten können. Verlegen Sie Ihre Kabel daher immer sorgfältig.
 31. Entfernen Sie Netzkabel und Netzadapter aus der Steckdose bei Gefahr eines Blitzschlags oder wenn Sie das Gerät länger nicht verwenden.



ACHTUNG:

Entfernen Sie niemals die Abdeckung, da sonst das Risiko eines elektrischen Schlages bestehen kann. Im Inneren des Geräts befinden sich keine Teile, die vom Bediener repariert oder gewartet werden können. Lassen Sie Reparaturen ausschließlich von qualifiziertem Service-Personal durchführen.



Das gleichschenkelige Dreieck mit dem Blitzsymbol kennzeichnet nicht-isolierte, „gefährliche“ Spannungen im Gerät, die einen für die Gesundheit gefährlichen Stromschlag verursachen können.



Das gleichschenkelige Dreieck mit dem Ausrufezeichen kennzeichnet wichtige Bedienungs- und Wartungshinweise.

ES

FR

DE

EN



DEFINE YOUR TONE

ACHTUNG HOHE LAUTSTÄRKEN BEI AUDIOPRODUKTEN!

Dieses Gerät ist für den professionellen Einsatz vorgesehen. Der kommerzielle Betrieb dieses Geräts unterliegt den jeweils gültigen nationalen Vorschriften und Richtlinien zur Unfallverhütung. Als Hersteller ist Adam Hall gesetzlich verpflichtet, Sie ausdrücklich auf mögliche Gesundheitsrisiken hinzuweisen.

Gehörschäden durch hohe Lautstärken und Dauerbelastung: Bei der Verwendung dieses Produkts können hohe Schalldruckpegel (SPL) erzeugt werden, die bei Künstlern, Mitarbeitern und Zuschauern zu irreparablen Gehörschäden führen können. Vermeiden Sie länger anhaltende Belastung durch hohe Lautstärken über 90 dB.

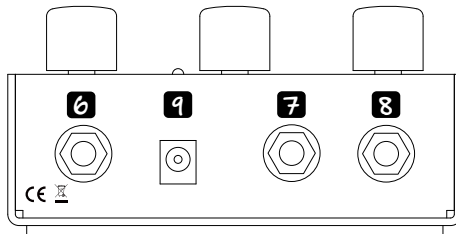
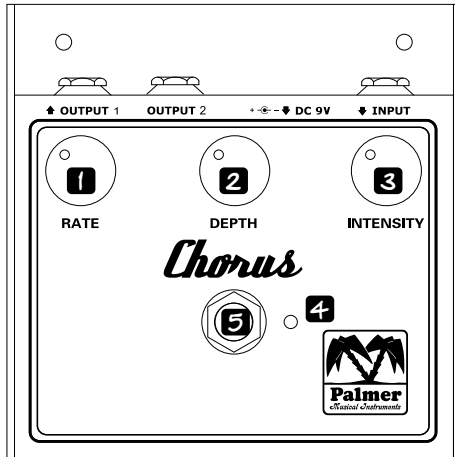
VORSICHT! WICHTIGE HINWEISE IN BEZUG AUF LICHT- PRODUKTE

1. Blicken Sie nicht aus Entfernungen von unter 40 cm in den Lichtstrahl.
2. Blicken Sie niemals längere Zeit aus kurzem bis mittlerem Abstand in den Lichtstrahl.
3. Blicken Sie niemals mit optischen Geräten wie Vergrößerungsgläsern in den Lichtstrahl.
4. Stoboskopeffekte können unter Umständen bei empfindlichen Menschen epileptische Anfälle auslösen! Epilepsiekranken Menschen sollten daher unbedingt Orte meiden, an denen Stroboskope eingesetzt werden.

DEFINE
YOUR TONE



ANSCHLÜSSE UND BEDIENELEMENTE





DEFINE YOUR TONE

OBERFLÄCHE

1 RATE

Regelt die Geschwindigkeit der Modulation, Rechtsdrehung erhöht die Modulations-Geschwindigkeit.

2 DEPTH

Regelt die Stärke der Modulation. Rechtsdrehung erhöht die Modulationsstärke

3 INTENSITY

Regelt den Effektanteil, der dem Originalsignal zugemischt wird. Rechtsdrehung erhöht den Effektanteil.

4 LED

Sie leuchtet, wenn der Effekt eingeschaltet ist und die Batterie genügend Spannung liefert.

5 AN/AUSSCHALTER

Wenn das Gerät ausgeschaltet ist, wird das Signal unmoduliert an den Ausgang geleitet.

6 IN

Hier schließen Sie Ihre Gitarre an. Verwenden Sie dafür ein hochwertiges Instrumentenkabel.

7 OUT A

Verbinden Sie diese Buchse mit dem Eingang Ihres Verstärkers oder dem nächsten Gerät Ihrer Effektkette. Verwenden Sie dafür ein hochwertiges Instrumentenkabel. Benutzen Sie diese Buchse für den Mono-Betrieb mit nur einem Verstärker. Im

DEFINE
YOUR TONE



Stereo-Betrieb mit zwei Verstärkern liegt an dieser Buchse das linke Signal an.

8 OUT B

Für den Stereo-Betrieb mit zwei Verstärkern liegt an dieser Buchse das rechte Signal an.

9 9VDC

Hier schließen Sie ein optionales 9 Volt-Netzteil an (PALMER PW9V oder PWT12). Details finden sie unter "STROMVERSORGUNG".

ES

FR

DE

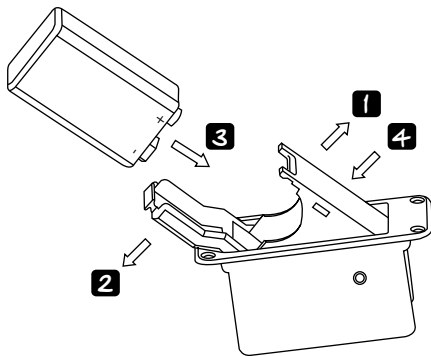
EN



DEFINE YOUR TONE

EINSETZEN UND ERSETZEN DER BATTERIE

Die 9 Volt-Batterie ist ein Euroblock vom Typ 6LF22. Das Batteriefach befindet sich leicht zugänglich auf der Unterseite des Gerätes. Das Gerät verbraucht auch in Bypass-Stellung Batteriestrom. Trennen Sie daher das Kabel vom Eingang, wenn Sie das Gerät nicht benutzen, um die Lebensdauer der Batterie zu verlängern.



- 1** Batteriehalter hochziehen
- 2** Klappe öffnen
- 3** Batterie einsetzen (Richtige Polung beachten)
- 4** Batteriehalter schließen

DEFINE
YOUR TONE



STROMVERSORGUNG

Batterie: 9V Euroblock 6LF22

Stromverbrauch: ca 15mA

Netzteil: 9 V DC (reguliert), 50 mA oder höher

5.0 x 2.1 mm 5.0 x 2.1 mm Stecker, Stift negativ

WARNUNG: Verwenden Sie ausschließlich ein Gleichstrom-Netzteil oder eine Batterie (9V Block), um Schäden am Gerät und Garantieverlust zu vermeiden!

SPEZIFIKATIONEN

Eingangsimpedanz:	1 M Ω
Ausgangsimpedanz:	100 k
Eigenrauschen:	-85dB, alle Regler in Mittelstellung
Regler:	RATE, DEPTH, INTENSITY
Anzeige:	LED
Aschlüsse:	IN, OUT, Netzteil-Buchse, Netzteil 9V DC, min. 50 mA (optional)
Stromverbrauch:	20 mA (9V DC)
Abmessung [W x D x H]:	120 x 95 x 56 mm
Gewicht:	380g/ 0.851b

Adam Hall GmbH, alle Rechte vorbehalten. Änderungen der technischen Daten und Produktmerkmale vorbehalten.



DEFINE
YOUR TONE

HERSTELLERGARANTIE

Diese Garantie erstreckt sich auf die Marken Adam Hall, LD Systems, Defender, Palmer und Cameo.

Sie gilt für alle Produkte im Vertrieb von Adam Hall. Diese Garantieerklärung berührt nicht die gesetzlichen Gewährleistungsansprüche an den Hersteller, sondern erweitert diese um zusätzliche Garantieansprüche gegenüber der Firma Adam Hall.

Adam Hall garantiert für den Zeitraum von zwei beziehungsweise fünf Jahren (bitte produktspezifisch erfragen) ab Kaufdatum, dass dieses Adam Hall-Produkt, welches Sie direkt über Adam Hall oder einen von Adam Hall autorisierten Händler erworben haben, bei bestimmungsgemäßem Gebrauch frei von Material- und Fertigungsfehlern ist.

Der Garantiezeitraum beginnt mit dem Kaufdatum des Produkts, das im Garantiefall entsprechend nachzuweisen ist (durch Vorlegen der Rechnung oder des Lieferscheins mit dem Kaufdatum). Sollte bei Produkten der oben genannten Marken innerhalb der Garantiezeit eine Reparatur erforderlich sein, sind Sie berechtigt, diese zu den hier aufgeführten Bedingungen durchführen zu lassen.

Innerhalb des Garantiezeitraums übernimmt Adam Hall die Reparatur oder den Ersatz der defekten Komponente(n) bzw. des Produkts. Im Falle einer Reparatur bzw. eines Austauschs innerhalb des Garantiezeitraumes gehen ausgewechselte Originalteile bzw. Produkte in das Eigentum der Firma Adam Hall über.

Sollte der unwahrscheinliche Fall eintreten, dass bei dem

DEFINE YOUR TONE



von Ihnen erworbenen Produkt ein Fehler wiederholt auftritt, hat die Firma Adam Hall das Recht, das defekte Produkt nach eigenem Ermessen durch ein anderes Produkt zu ersetzen, sofern das neue dem ausgetauschten Produkt in Bezug auf die technischen Spezifikationen mindestens gleichwertig ist.

Adam Hall übernimmt keine Garantie für einen störungs- und/oder fehlerfreien Betrieb dieses Produkts. Auch für Schäden durch Nichtbeachtung der diesem Adam Hall-Produkt beiliegenden Bedienungsanleitung und anderen Unterlagen ist Adam Hall nicht verantwortlich. Die Herstellergarantie gilt nicht - für Verschleißteile (z.B. Akkus) - für Produkte, von denen die Seriennummer entfernt wurde oder die aufgrund eines Unfalls beschädigt wurden - für Schäden durch unsachgemäßen Betrieb, durch Fehlbedienung oder andere externe Gründe

- für Schäden an Geräten, die nicht entsprechend den Betriebsparametern betrieben wurden (Parameter gemäß den im Lieferumfang enthaltenen Unterlagen),
- für Schäden durch die Verwendung nicht von Adam Hall hergestellter, vertriebener oder empfohlener Ersatzteile,
- für Schäden durch Fremdeingriffe/Modifikationen oder nicht durch Adam Hall durchgeführte Reparaturen.

Diese Bestimmungen und Bedingungen stellen die vollständige und ausschließliche Garantievereinbarung zwischen Ihnen und Adam Hall für das von Ihnen erworbene Adam Hall-Produkt dar.

HAFTUNGSBESCHRÄNKUNG

Falls an Hardware-Produkten von Adam Hall innerhalb der Garantiezeit Material- oder Verarbeitungsfehler (gemäß der Garantieerklärung oben) auftreten, besteht Ihr alleini-

ES

FR

DE

EN



DEFINE
YOUR TONE

ger und ausschließlicher Anspruch aus dieser Garantie in der Reparatur oder dem Austausch des Geräts. Die maximale Haftung der Firma Adam Hall ist entsprechend dieser Garantie ausdrücklich auf den Kaufpreis oder die Kosten für eine Reparatur oder Ersatz - und zwar den jeweils niedrigeren Betrag - der bei üblichem Gebrauch fehlerhaften Komponenten begrenzt.

Adam Hall ist nicht haftbar für jegliche durch das Produkt oder das Versagen des Produkts verursachte Schäden, einschließlich Gewinneinbußen und unterbliebener Einsparungen sowie besonderer, indirekter oder Folgeschäden. Des Weiteren ist Adam Hall nicht haftbar gegenüber Rechtsansprüchen Dritter oder durch Sie im Namen Dritter angemeldeten Forderungen.

Diese Haftungsbeschränkung gilt unabhängig davon, ob Schäden gerichtlich verfolgt oder Schadensersatzansprüche im Rahmen dieser Garantie oder aufgrund unerlaubter Handlungen (einschließlich Fahrlässigkeit und Gefährdungshaftung) oder aufgrund vertraglicher oder sonstiger Ansprüche gestellt werden, und kann von niemandem aufgehoben oder verändert werden. Diese Haftungsbeschränkung ist auch dann gültig, wenn Sie die Firma Adam Hall oder einen autorisierten Vertreter von Adam Hall auf die Möglichkeit solcher Schäden aufmerksam gemacht haben, nicht jedoch bei Schadensersatzansprüchen in Zusammenhang mit Personenschäden.

Diese Herstellergarantie räumt Ihnen bestimmte Rechte ein; je nach Gerichtsbarkeit (Staat oder Land) stehen Ihnen möglicherweise weitere Ansprüche zu. Es ist ratsam, in solchen Fällen die entsprechenden Gesetze heranzuziehen, um Ihre Rechte umfassend zu ermitteln.

DEFINE YOUR TONE



INANSPRUCHNAHME DER GARANTIE

Wenden Sie sich im Garantiefall direkt an Adam Hall oder den von Adam Hall autorisierten Händler, bei dem Sie das Produkt erworben haben.

EG-KONFORMITÄTSERKLÄRUNG

Die von Adam Hall vertriebenen Geräte entsprechen (soweit zutreffend) den grundlegenden Anforderungen und weiteren relevanten Spezifikationen der Richtlinien 1999/5/EC (R&TTE), 2004/108/EC (EMC) und 2006/95/EC (LVD). Weitere Informationen finden Sie unter www.adamhall.com.

KORREKTE ENTSORGUNG DIESES PRODUKTS (ELEKTRO-ABFÄLLE)



(Gültig in der Europäischen Union und anderen europäischen Ländern mit Mülltrennung)

Dieses Symbol auf dem Produkt oder dazugehörigen Dokumenten weist darauf hin, dass das Gerät am Ende der Produktlebenszeit nicht zusammen mit dem normalen Hausmüll entsorgt werden darf, um Umwelt- oder Personenschäden durch unkontrollierte Abfallentsorgung zu vermeiden. Bitte entsorgen Sie dieses Produkt getrennt von anderen Abfällen und führen es zur Förderung nachhaltiger Wirtschaftskreisläufe dem Recycling zu.

Als Privatkunde erhalten Sie Informationen zu umweltfreundlichen Entsorgungsmöglichkeiten über den Händler, bei dem das Produkt erworben wurde, oder über die entsprechenden regionalen Behörden.

Als gewerblicher Nutzer kontaktieren Sie bitte Ihren Lieferanten und prüfen die ggf. vertraglich vereinbarten Kondi-



DEFINE
YOUR TONE

tionen zur Entsorgung der Geräte. Dieses Produkt darf nicht zusammen mit anderen gewerblichen Abfällen entsorgt werden.

UMWELTSCHUTZ UND ENERGIESPAREN

Energiesparen ist ein aktiver Beitrag zum Umweltschutz. Schalten Sie bitte alle nicht benötigten elektrischen Geräte aus. Um zu verhindern, dass nicht benötigte Geräte im Standby-Modus Strom verbrauchen, ziehen Sie den Netzstecker.

ES

FR

DE

EN

DEFINE
YOUR TONE





DEFINE
YOUR TONE

DEFINE

YOUR

TONE

DEFINE
YOUR TONE



INTRODUCTION

Merci d'avoir acheté une pédale PALMER Chorus ! Cette pédale d'effet de haute qualité possède un robuste sélecteur au pied (footswitch) et un boîtier acier ; elle met à votre disposition un Chorus (superposition de plusieurs voix) alliant richesse sonore, profondeur, brillance et intensité. Des réglages de fréquence (Rate), d'intensité (Depth) et de mixage (Mix) assurent une grande variété de sons.

ES

FR

DE

EN



DEFINE YOUR TONE

INSTRUCTIONS DE SÉCURITÉ

1. Veuillez lire attentivement ce manuel.
2. Rangez tous les documents d'information et d'instructions en lieu sûr.
3. Veuillez suivre toutes les instructions
4. Observez tous les messages d'avertissement N'enlevez pas de l'appareil les étiquettes de sécurité ou autres informations.
5. N'utilisez l'appareil que pour des applications et de la façon appropriées.
6. Utilisez exclusivement des pieds et des dispositifs de fixation stables et adaptés lorsque l'appareil est utilisé en installation fixe. Assurez-vous que les fixations murales ont été montées correctement, et qu'elles sont sécurisées. Vérifiez que l'appareil est installé en toute sécurité, et qu'il ne peut pas tomber.
7. Lors de l'installation, observez les réglementations de sécurité en vigueur dans votre pays.
8. N'installez et n'utilisez pas l'appareil à proximité de radiateurs, d'accumulateurs de chaleur, de fours ou de toute autre source de chaleur. Vérifiez que l'appareil est installé de façon à bénéficier en permanence d'un refroidissement efficace et qu'il ne peut pas chauffer de façon excessive.
9. Ne placez aucune source de flamme sur l'appareil - par exemple, une bougie allumée.
10. Ne bloquez pas les ouïes d'aération.
11. N'utilisez pas l'appareil à proximité immédiate d'eau (à moins qu'il ne s'agisse d'un appareil conçu pour une utilisation en extérieur - dans ce cas, respectez les instructions correspondantes ci après) Ne mettez pas l'appareil en contact avec des matériaux, des liquides

DEFINE YOUR TONE



ou des gaz inflammables.

12. Vérifiez qu'aucune projection ou liquide ne puisse s'introduire dans l'appareil. Ne posez sur l'appareil aucun objet renfermant du liquide : vase, verre d'eau...
13. Vérifiez qu'aucun petit objet ne puisse tomber à l'intérieur de l'appareil.
14. N'utilisez avec cet appareil que des accessoires recommandés et approuvés par le fabricant.
15. N'ouvrez pas l'appareil, et n'essayez pas de le modifier.
16. Lors du branchement de l'appareil, sécurisez le passage du câble secteur, afin d'éviter tout dommage ou accident, par exemple quelqu'un qui trébuche sur le câble.
17. Lors du transport, vérifiez que l'appareil ne peut tomber, ce qui pourrait provoquer des dommages matériels et/ou corporels.
18. Si votre appareil ne fonctionne plus correctement, que de l'eau ou des objets ont pénétré à l'intérieur, ou qu'il a été endommagé de quelque façon que ce soit, éteignez-le immédiatement et débranchez sa prise secteur (s'il s'agit d'un appareil alimenté). Cet appareil ne doit être réparé que par un personnel autorisé.
19. Pour le nettoyage de l'appareil, utilisez un chiffon sec/
20. Observez toutes les réglementations en vigueur dans votre pays pour mettre l'appareil au rebut. Lorsque vous jetez l'emballage de l'appareil, veuillez séparer plastique, papier et carton.
21. Les films plastique doivent être mis hors de portée des enfants.

● APPAREILS RELIÉS AU SECTEUR :

- 22. ATTENTION : Si le câble de l'appareil est muni d'un fil



DEFINE YOUR TONE

- de terre, il doit être relié à une prise murale avec terre. Ne désactivez jamais la mise à la terre d'un appareil.
23. N'allumez pas l'appareil immédiatement s'il a subi une grande différence de température ambiante (par exemple, lors du transport). L'humidité et la condensation pourraient l'endommager. Ne mettez l'appareil sous tension que lorsqu'il est parvenu à la température de la pièce.
 24. Avant de relier l'appareil à la prise murale, vérifiez que la valeur et la fréquence de tension secteur sur laquelle il est réglé correspondent bien à la valeur et à la fréquence de la tension secteur locale. Si l'appareil possède un sélecteur de tension, ne le branchez sur la prise murale qu'après avoir vérifié que la valeur réglée correspond à la valeur effective de la tension secteur. Si la fiche du cordon secteur ou du bloc adaptateur livré avec votre appareil ne correspond pas au format de votre prise murale, veuillez consulter un électricien.
 25. Ne piétinez pas le câble secteur. Assurez-vous que le câble secteur n'est pas trop pincé, notamment au niveau de l'arrière de l'appareil (ou de son adaptateur secteur) et de la prise murale.
 26. Lors du branchement de l'appareil, vérifiez que l'accès au câble secteur ou au bloc adaptateur reste facile. Sortez la fiche secteur de la prise murale dès que vous n'utilisez pas l'appareil pendant un certain temps, ou si vous désirez nettoyer l'appareil. Pour ce faire, tirez toujours sur la fiche elle-même, ou sur le bloc secteur lui-même ; ne tirez jamais sur le câble. Ne manipulez jamais le câble secteur ou l'adaptateur secteur avec des mains mouillées.
 27. N'éteignez/rallumez pas l'appareil rapidement plusieurs fois de suite : vous risquez de réduire la longévité de

DEFINE YOUR TONE



ses composants internes.

28. **CONSEIL IMPORTANT** : Ne remplacez le fusible que par un fusible de même type et du même calibre. Si le fusible fond de façon répétée, veuillez consulter un centre de réparations agréé.
29. Pour séparer complètement l'appareil du secteur, débranchez le cordon secteur ou l'adaptateur de la prise murale.
30. Si votre appareil est muni d'un connecteur secteur verrouillable (Volex), il faut d'abord déverrouiller le mécanisme avant d'enlever le cordon secteur. Attention, lorsque vous retirez le câble secteur, à ne pas faire bouger l'appareil, ce qui pourrait se traduire par un risque de chute, de blesser quelqu'un, ou tout autre dommage. Manipulez toujours le cordon secteur avec soin.
31. Débranchez la fiche secteur ou l'adaptateur de la prise murale en cas d'orage, ou si vous n'utilisez pas l'appareil pendant une longue période.

ATTENTION:



Ne démontez jamais le couvercle de l'appareil, vous risquez de recevoir un choc électrique. L'appareil ne renferme aucune pièce ni composant réparable ou remplaçable par l'utilisateur. Ne confiez sa réparation qu'à un personnel technique qualifié.



Le pictogramme en forme de triangle équilatéral renfermant un éclair signale à l'utilisateur la présence à l'intérieur de l'appareil d'une tension dangereuse non protégée, suffisamment élevée pour présenter un risque pour les personnes.

ES

FR

DE

EN



DEFINE YOUR TONE



Le pictogramme en forme de triangle équilatéral renfermant un point d'exclamation signal eà l'utilisateur la présence d'instructions importantes concernant l'utilisation ou l'entretien de l'appareil.

ATTENTION NIVEAUX SONORES ÉLEVÉS SUR LES PRODUITS AUDIO

Cet appareil a été conçu en vue d'une utilisation professionnelle. L'utilisation commerciale de cet appareil est soumise aux réglementations et directives en vigueur dans votre pays en matière de prévention d'accident. En tant que fabricant, Adam Hall est tenu de vous avertir formellement des risques relatifs à la santé.

Risques provoqués par une exposition prolongée à des niveaux sonores élevés : Lors de l'utilisation de ce produit, il est possible d'atteindre des niveaux de pression sonore (exprimés en dB SPL) élevés, susceptibles de provoquer des dommages auditifs irréparables chez les artistes, les techniciens et le public. Évitez toute exposition prolongée à des niveaux de pression sonore élevés (supérieurs à 90 dB SPL).

ATTENTION ! CONSEILS IMPORTANTS POUR LES PRODUITS À ÉCLAIRAGE

1. Ne regardez pas directement l'appareil si vous vous trouvez à une distance de moins de 40 cm.
2. Ne fixez jamais le rayon lumineux, même pendant une courte durée, même à distance moyenne.
3. Ne regardez jamais le rayon lumineux par l'intermédiaire d'un appareil optique grossissant (jumelles par exemple).
4. Les effets stroboscopiques peuvent, dans certaines cir-

DEFINE
YOUR TONE



constances, provoquer des crises d'épilepsie chez les sujets sensibles. Les personnes concernées doivent donc absolument éviter les lieux dans lesquels les stroboscopes sont utilisés.

ES

FR

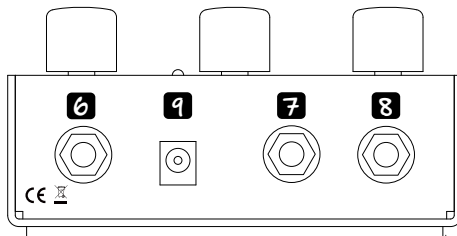
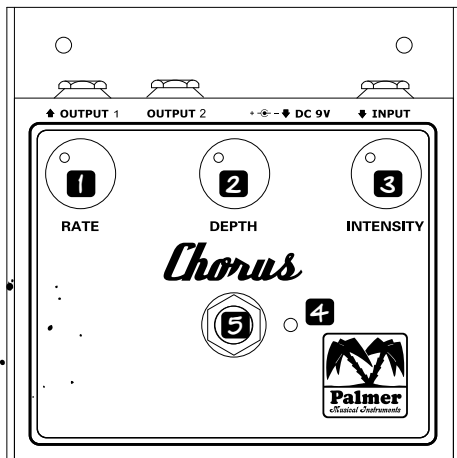
DE

EN



DEFINE
YOUR TONE

PANNEAU



ES
FR
DE
EN

DESCRIPTION PANNEAU UTILISATEUR

1 POTENTIOMÈTRE RATE

Permet de régler la fréquence de la modulation. Tourner ce potentiomètre dans le sens des aiguilles d'une montre augmente la fréquence. Le tourner dans le sens inverse diminue la fréquence.

2 POTENTIOMÈTRE DEPTH

Permet de doser l'intensité de la modulation. Tourner ce potentiomètre dans le sens des aiguilles d'une montre augmente l'intensité de la modulation. Le tourner dans le sens inverse diminue l'intensité.

3 POTENTIOMÈTRE INTENSITY

Permet de doser la quantité d'effet de Chorus ajouté au signal. Tourner ce potentiomètre dans le sens des aiguilles d'une montre augmente la quantité de Chorus ajoutée. Le tourner dans le sens inverse diminue la quantité.

4 LED

Lorsque la LED est allumée, la pédale est active (On). Cette LED sert aussi d'indicateur d'usure de la pile.

5 SÉLECTEUR ON / OFF

Détermine si la pédale est active ou bypassée. Lorsqu'elle est active, la LED s'allume en rouge. Lorsqu'elle est bypassée, la LED n'est pas allumée.



DEFINE YOUR TONE

6 IN

Branchez votre guitare sur ce jack, en utilisant un câble instrument de qualité, muni de jacks 6,35 mm.

7 JACK OUTPUT A

Reliez ce jack de sortie à l'entrée de votre amplificateur ou de la pédale suivante dans la chaîne de signal, en utilisant un câble instrument de qualité, muni de jacks 6,35 mm. Si vous utilisez la pédale de Chorus en mono (branchée dans un seul amplificateur), utilisez ce jack de sortie. Dans le cadre d'une utilisation en stéréo (branchée dans deux amplificateurs), ce jack correspond au canal gauche.

8 JACK OUTPUT B

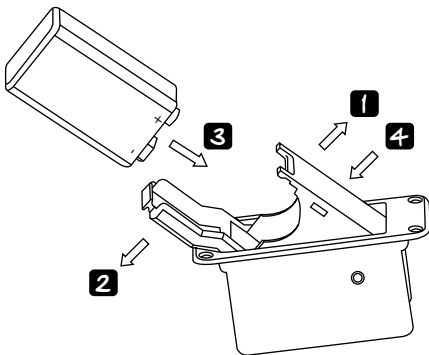
Dans le cadre d'une utilisation en stéréo (branchée dans deux amplificateurs), ce jack correspond au canal droit.

9 9VDC

Cette embase permet de relier une alimentation continue 9 Volts optionnelle (PALMER PW9V ou PWT12). Pour plus de détails, voir "ALIMENTATION".

INSERTION ET REMPLACEMENT DE LA PILE

La pile 9 Volts à utiliser est de type 6LF22. Le compartiment à pile, d'accès facile, est situé sur le dessous de la pédale. Attention : même en position Bypass, la pédale consomme de l'énergie. Pour prolonger la durée de vie de la pile, nous vous conseillons d'enlever le jack de l'entrée dès que vous n'avez plus besoin de la pédale.



- 1** Tirez vers le haut le capot de protection de la pile.
- 2** Ouvrez le rabat.
- 3** Mettez la pile en place (en respectant la polarité).
- 4** Refermez le capot de protection de la pile.



DEFINE YOUR TONE

ALIMENTATION

Pile : 9 Volts, type 6LF22

Intensité consommée : env. 15 mA

Adaptateur secteur 9 Volts (tension continue) régulée, 50 mA ou plus

Connecteur coaxial 5,0 x 2,1 mm, pôle négatif au centre)

ATTENTION : Utilisez exclusivement un bloc secteur à tension continue ou une pile (9 Volts type 6LF22) afin d'éviter d'endommager la pédale et d'annuler la garantie !

CARACTÉRISTIQUES

Impédance d'entrée :	1 M Ω
Impédance de sortie :	100 kohms
Niveau de bruit de fond :	-85 dB, tous les potentiomètres en position centrale
Contrôles :	Potentiomètres RATE, DEPTH, INTENSITY
Indicateur :	LED
Connecteurs :	IN, OUT, tension continue externe (bloc secteur 9 Volts)
Intensité consommée :	20 mA (sous tension continue 9 Volts)
Dimensions (L x H x P) :	120 x 95 x 56 mm (4,72 x 3,74 x 2,2 pouces)
Masse :	380 g

Adam Hall GmbH, tous droits réservés. Les caractéristiques, techniques et les fonctions disponibles sur le produit sont sujettes à modifications.

DEFINE
YOUR TONE



GARANTIE FABRICANT LIMITÉE

Cette garantie concerne tous les produits de marque Adam Hall, LD Systems, Defender, Palmer et Cameo.

Elle s'applique également à tous les produits distribués par Adam Hall.

Elle ne concerne pas les droits statutaires relatifs à la garantie envers le vendeur. En fait, elle justifie des requêtes en garantie supplémentaires, indépendantes, envers Adam Hall.

Adam Hall garantit, pendant une période s'étendant selon le cas de deux à cinq ans (à vérifier selon le produit) à compter de la date d'achat, que le produit Adam Hall que vous avez acheté directement auprès d'Adam Hall ou chez un revendeur autorisé est dépourvu de défaut, au niveau des composants ou de la fabrication, dans le cadre d'une utilisation normale.

La période pendant laquelle cette garantie limitée est applicable commence à partir de la date d'achat. Cette date se justifie d'après une facture ou un bon de livraison daté. Dans le cas où des produits des marques citées ci avant nécessiteraient une réparation pendant la période de garantie limitée, vous avez droit à des réparations sous garantie, conformément aux termes et conditions exposés dans ce document.

Pendant toute la période de garantie limitée, Adam Hall réparera ou procédera au remplacement de tous les composants défectueux, ou le produit lui-même. En cas de réparation ou d'échange pendant la période de garantie, les pièces originales remplacées ou le produit échangé deviennent la propriété de la société Adam Hall.

Dans le cas improbable où votre produit Adam Hall serait

ES
FR
DE
EN



DEFINE YOUR TONE

sujet à des défaillances répétées, Adam Hall, à sa discrétion, peut choisir de mettre à votre disposition un appareil de remplacement de son choix, au moins équivalent à votre produit de marque Adam Hall en termes de performances matérielles et techniques.

Adam Hall ne garantit pas que l'utilisation de ce produit ne sera sujette à aucune interruption ni défaillance. Adam Hall n'est pas responsable des dommages occasionnés par le non-respect des instructions contenues dans le manuel d'utilisation livré avec le produit de marque Adam Hall. La garantie fabricant ne s'applique pas - aux pièces d'usure (accumulateurs par exemple) - aux produits dont le numéro de série a été effacé, ou qui ont été endommagés ou rendus inutilisables à la suite d'un accident - aux dommages provoqués une utilisation peu précautionneuse, à une erreur de manipulation ou tout autre motif externe.

- en cas de dommages subis par des appareils suite à une utilisation hors des valeurs d'usage des paramètres (telles que mentionnées dans le manuel utilisateur livré avec le produit)
- en cas de dommages consécutifs à l'utilisation de pièces de rechange non fabriquées ou non vendues par Adam Hall
- en cas de dommages consécutifs à des modifications ou réparations non assurées par Adam Hall

Ces termes et conditions constituent l'accord de garantie complet et exclusif entre vous et Adam Hall, relativement au produit de marque Adam Hall que vous avez acheté.

RESPONSABILITÉ LIMITÉE

Si votre appareil de marque Adam Hall présente, pendant la période de garantie, des défaillances au niveau des com-

DEFINE YOUR TONE



posants ou de la fabrication, couvertes par les conditions ci-avant, le seul recours, exclusif, est sa réparation ou son remplacement au titre de cette garantie. Dans le cadre de cette garantie limitée, la responsabilité financière maximale d'Adam Hall est expressément limitée à la plus faible des deux sommes suivantes : prix d'achat payé pour le produit ou coût de réparation ou de remplacement de tout composant matériel ne fonctionnant pas correctement dans des conditions normales d'utilisation.

Adam Hall ne peut être tenu pour financièrement responsable de tout dommage causé par le produit ou sa défaillance - y compris toute perte de recettes ou de bénéfices, ni de tout dommage spécifique, incidentel ou consécutif. De plus, Adam Hall n'est pas responsable financièrement en cas de requête émanant d'une tierce partie ou de votre part pour le compte d'une tierce partie.

Cette limitation de responsabilité financière s'applique en cas de demande de dommages et intérêts ou de poursuites, dans le cadre de cette garantie limitée ou en cas de procédure (négligence et stricte responsabilité produit), de non-respect du contrat, ou de toute autre procédure. Cette limitation de responsabilité financière ne peut être annulée ou amendée par quiconque. Cette limitation de responsabilité financière s'applique même si vous avez prévenu Adam Hall ou tout représentant autorisé de Adam Hall de la possibilité de tels dommages. Toutefois, cette limitation de responsabilité financière ne s'applique pas en cas de blessures aux personnes.

Cette garantie fabricant limitée vous donne des droits légaux spécifiques. Vous pouvez également avoir d'autres droits, variables d'un état ou d'un pays à l'autre. Nous vous con-

ES
FR
DE
EN



DEFINE YOUR TONE

seillons de vous reporter aux lois applicables dans votre état ou votre pays afin de déterminer l'étendue exacte de vos droits.

DEMANDE DE RÉPARATIONS SOUS GARANTIE

Pour demander des réparations sous garantie pour votre produit, veuillez contacter Adam Hall ou le revendeur agréé Adam Hall auprès de qui vous l'avez acheté.

DÉCLARATION DE CONFORMITÉ CE

Les appareils commercialisés par Adam Hall répondent (à la date actuelle) aux exigences et spécifications applicables des Directives 1999/5/EC (R&TTE), 2004/108/EC (EMC) et 2006/95/EC (LVD). Pour plus d'informations, référez-vous au site www.adamhall.com.

MISE AU REBUT DE CE PRODUIT (DÉCHET ÉLECTRIQUE)



(Applicable dans l'Union Européenne et les autres pays européens dotés de systèmes de collecte sélective)

La présence de ce logo sur le produit ou son manuel d'utilisation indique qu'en fin de vie, il ne doit pas être jeté avec les autres déchets domestiques. Afin d'éviter toute atteinte à l'environnement ou à la santé humaine pouvant résulter d'une gestion incontrôlée des déchets, veuillez assurer son recyclage de manière responsable. Séparez-le des autres types de déchets et recyclez-le, afin de promouvoir la réutilisation durable des ressources naturelles.

Nous conseillons aux utilisateurs non professionnels de con-

DEFINE YOUR TONE



tacter le revendeur chez qui ils ont acheté le produit, ou un représentant gouvernemental local, pour plus de détails sur le lieu de collecte et la façon de recycler cet appareil dans le meilleur respect de l'environnement possible.

Nous invitons les utilisateurs professionnels à contacter leur fournisseur et à vérifier les termes et conditions de leur contrat d'achat. Ce produit ne doit pas être mélangé à d'autres déchets commerciaux lors de la collecte.

PROTECTION DE L'ENVIRONNEMENT ET ÉCONOMIES D'ÉNERGIE

Économiser l'énergie constitue une contribution active efficace à la protection de l'environnement. Pensez à éteindre tout appareil électrique dès que vous ne vous en servez plus. Pour éviter que les appareils placés en mode de veille (Standby) ne continuent à consommer de l'électricité, débranchez-les de leur prise secteur.

ES

FR

DE

EN



DEFINE
YOUR TONE

DEFINE

YOUR

TONE

DEFINE
YOUR TONE



INTRODUCCIÓN

¡Enhorabuena por adquirir el pedal Chorus de PALMER! Pro-
visto de un pulsador y una carcasa metálica que destacan por
su robustez, este efecto de gran calidad ofrece excelentes
coros a varias voces, con mucha profundidad e intensidad.
Los controles Rate, Depth e Intensity independientes per-
miten obtener una amplia gama de posibilidades de efectos.

ES

FR

DE

EN



DEFINE
YOUR TONE

INSTRUCCIONES DE SEGURIDAD:

1. Lea atentamente las instrucciones de este manual.
2. Guarde toda la información en un lugar seguro para futuras consultas.
3. Siga las instrucciones indicadas.
4. Siga todas las advertencias. No quite las instrucciones de seguridad ni cualquier otra información indicada en el equipo.
5. Utilice el equipo únicamente según la finalidad prevista.
6. Utilice solo soportes y fijaciones que sean robustos y adecuados cuando instale el equipo en instalaciones fijas. Asegúrese de que los soportes de pared están correctamente instalados y firmemente fijados. Asegúrese de que el equipo está sólidamente instalado y no se puede caer.
7. Al instalar el equipo, respete las normas de seguridad aplicables en su país.
8. Evite instalar el equipo cerca de radiadores, acumuladores de calor, estufas o cualquier otra fuente de calor. Asegúrese de que el equipo esté instalado en un lugar con ventilación suficiente para evitar cualquier sobrecalentamiento.
9. No coloque sobre el equipo fuentes de llamas sin protección, por ejemplo, velas encendidas.
10. Evite bloquear las rejillas de ventilación.
11. No utilice este equipo cerca del agua (excepto los equipos específicamente diseñados para uso en exterior, en cuyo caso tenga en cuenta las indicaciones mencionadas a continuación). No exponga este equipo a materiales, líquidos o gases inflamables.
12. Evite exponer el equipo a gotas o salpicaduras que

DEFINE YOUR TONE



puedan caer dentro del mismo. No coloque recipientes llenos de líquido, como floreros o vasos, sobre el equipo.

13. Asegúrese de no dejar caer ningún objeto dentro del equipo.
14. Emplee el equipo únicamente con los accesorios recomendados por el fabricante.
15. No abra el equipo ni intente modificarlo.
16. Una vez conectado el equipo, compruebe que en toda la longitud del cableado no hay peligro de que provoque una caída, por ejemplo.
17. Durante el transporte, asegúrese de que el equipo no se caiga y pueda causar daños personales o materiales.
18. Si el equipo no funciona correctamente, o si se ha vertido líquido sobre él, o si un objeto ha caído en su interior o si ha sufrido algún desperfecto, apague inmediatamente el equipo y desenchufe el cable eléctrico (si se trata de un equipo activo). Únicamente un técnico especialista debe reparar el equipo.
19. Para limpiar el equipo utilice un paño seco.
20. Procure seguir las normas vigentes en su país sobre reciclaje de desechos. Separe los componentes de plástico, papel y cartón del paquete para reciclarlos en sus contenedores respectivos.
21. No deje las bolsas de plástico al alcance de los niños.

PARA LOS EQUIPOS CON TOMA ELÉCTRICA:

22. **ADVERTENCIA:** Si el cable eléctrico está provisto de un contacto de protección, debe conectarse a una toma eléctrica con conexión a tierra. No desactivar nunca esta conexión de protección a tierra del cable eléctrico.
23. Si el equipo ha estado expuesto a un cambio brusco de



DEFINE YOUR TONE

- temperatura (por ejemplo, después del transporte), no lo encienda inmediatamente. La condensación o la humedad podrían dañar el equipo. Deje que el equipo alcance la temperatura ambiente antes de encenderlo.
24. Antes de conectar el cable eléctrico a la toma de corriente, compruebe si la tensión y la frecuencia del suministro eléctrico coinciden con las especificaciones de este equipo. Si el equipo dispone de un selector de tensión, antes de enchufarlo a la red eléctrica, asegúrese de que el valor seleccionado coincide con la tensión de suministro. Si el enchufe o el adaptador de corriente no encajan en la toma eléctrica, consulte a un electricista.
 25. Asegúrese de que el cable eléctrico no está pinzado. Evite que el cable resulte pellizcado, sobre todo en los extremos de conexión al equipo y en la toma eléctrica.
 26. Al conectar el equipo, asegúrese de que el cable eléctrico o el adaptador de corriente estén siempre accesibles. Desconecte el equipo de la toma de corriente cuando no esté en uso o antes de limpiarlo. Para ello, desconecte el cable eléctrico y el adaptador de corriente del conector del equipo en vez de desenchufar el cable de la toma eléctrica. No tocar el cable eléctrico ni el adaptador de corriente con las manos húmedas.
 27. No encienda y apague el equipo en cortos intervalos de tiempo, ya que se reduce así la vida útil del sistema.
 28. **NOTA IMPORTANTE:** Sustituya los fusibles únicamente por otros del mismo tipo y de las mismas características. Si el fusible se funde continuamente, póngase en contacto con un servicio técnico autorizado.
 29. Para desconectar completamente el equipo de la tensión eléctrica, desenchufe el cable eléctrico o el adaptador de corriente de la toma eléctrica.

DEFINE YOUR TONE



30. Si el equipo dispone de un enchufe eléctrico Volex, deberá desbloquearse el Volex del equipo para desenchufarlo. Esto implica que un tirón en el cable eléctrico puede desplazar el equipo y provocar daños personales o materiales. Por tanto, asegúrese de instalar los cables con sumo cuidado.
31. Si es probable que caiga un rayo por una tormenta eléctrica o si no va a emplear el equipo durante mucho tiempo, desenchufe el cable eléctrico y el adaptador de corriente.



ADVERTENCIA:

Para evitar el riesgo de descarga eléctrica, no retire la tapa. El equipo no contiene piezas que el usuario pueda reparar o sustituir. Para cualquier tarea de mantenimiento o reparación, acuda a un técnico cualificado.



El símbolo de rayo dentro de un triángulo equilátero advierte al usuario de la presencia de tensiones peligrosas sin aislamiento dentro del equipo que pueden causar una descarga eléctrica y suponer un riesgo para la salud.



El símbolo de exclamación dentro de un triángulo equilátero advierte al usuario de la existencia de importantes instrucciones de uso y mantenimiento.

ADVERTENCIA: ¡ALTO VOLUMEN!

Este equipo se destina a un uso profesional. Por consiguiente, si se aplica a un uso comercial, estará sujeto a las normas y reglamentos de la Asociación para la preven-



DEFINE YOUR TONE

ción de accidentes de su sector profesional. Como fabricante, Adam Hall tiene la obligación de informar formalmente a los usuarios de la existencia de posibles riesgos para la salud.

Daños auditivos por exposición prolongada a un nivel SPL alto: este equipo puede generar fácilmente un nivel de presión sonora (SPL) lo suficientemente elevado como para causar daños auditivos permanentes a los artistas, el personal de producción y el público. Deben tomarse precauciones para evitar la exposición prolongada a un SPL de más de 90 dB.

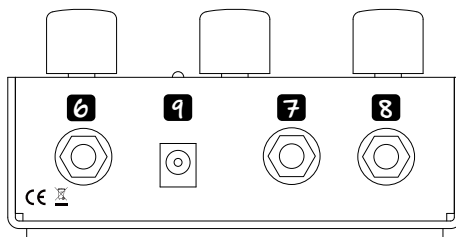
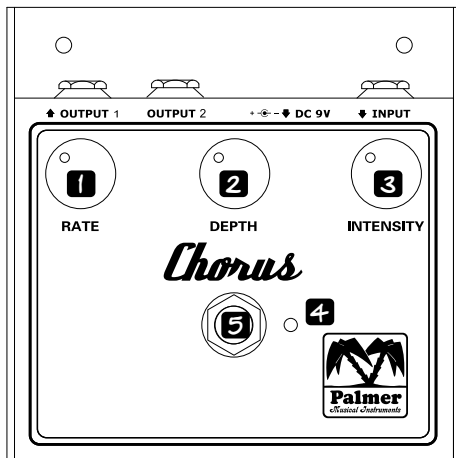
¡ATENCIÓN! INFORMACIÓN IMPORTANTE SOBRE LOS PRODUCTOS DE ILUMINACIÓN

1. No mire el haz de luz desde una distancia inferior a 40 cm.
2. No mire el haz de luz de cerca durante periodos prolongados.
3. No mire directamente el haz de luz con instrumentos ópticos, como lentes de aumento.
4. ¡Los efectos estroboscópicos pueden a veces causar convulsiones en personas fotosensibles! Las personas con epilepsia deben evitar los lugares en los que se usan luces estroboscópicas.

DEFINE
YOUR TONE



PANEL



ES
FR
DE
EN



DEFINE YOUR TONE

DESCRIPCIÓN DE LOS PANELES

1 CONTROL RATE

Controla la velocidad de modulación. Al girar este control a la derecha, se aumenta la velocidad. Al girarlo a la izquierda, se reduce la velocidad.

2 CONTROL DEPTH

Controla el nivel de modulación. Al girar este control a la derecha, se aumenta el nivel de modulación. Al girarlo a la izquierda, se reduce el nivel de modulación.

3 CONTROL INTENSITY

Permite controlar la cantidad de efecto de coro que se añade a la señal. Al girar este control a la derecha, se aumenta la cantidad de coro que se añade. Al girarlo a la izquierda, se reduce la cantidad de coro.

4 LED

Se ilumina cuando el pedal está activado. También sirve como indicador del nivel de batería.

5 PULSADOR

Este pulsador activa o desactiva el pedal. Si el pedal está "activo", el LED rojo se iluminará. Si el pedal está "desactivado", el LED se apagará.

6 ENTRADA

Jack de 1/4" para conectar la guitarra mediante un cable de instrumento de calidad.

DEFINE
YOUR TONE



7 SALIDA A

Jack de 1/4" para conectar a la entrada de un ampli de guitarra, o al siguiente pedal de distorsión en la cadena de la señal, mediante un cable de instrumento de calidad. Utilice esta salida cuando se utilice el pedal Chorus en mono (conectado a un solo amplificador). Cuando se utilice en estéreo (conectado a dos amplificadores), este jack corresponde a la salida izquierda.

8 SALIDA B

Cuando se utilice en estéreo (conectado a dos amplificadores), este jack corresponde a la salida derecha.

9 ALIMENTACIÓN DE 9 VDC

Toma para conectar una fuente de alimentación de 9 voltios de continua (PALMER PW9V o PWT12). Para más información, véase "ALIMENTACIÓN ELÉCTRICA".

ES

FR

DE

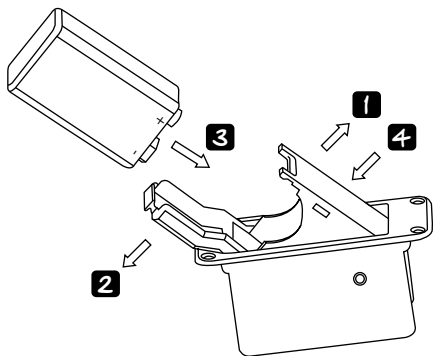
EN



DEFINE
YOUR TONE

INSTALACIÓN Y SUSTITUCIÓN DE LA BATERÍA

Se utiliza una batería de tipo bloque 6LF22, de 9 voltios. El compartimiento de la batería se encuentra en la parte inferior del pedal. Si el pedal está conectado, aunque esté desactivado, la batería se irá descargando. Por lo tanto, desconecte el cable de la entrada cuando no utilice el pedal, para así alargar la vida de la batería.



- 1** Tire del portapilas
- 2** Abra la tapa
- 3** Inserte la pila (con la polaridad correcta)
- 4** Coloque el portapilas en su sitio

DEFINE
YOUR TONE



ALIMENTACIÓN ELÉCTRICA

Batería: 9 V 6LF22 de tipo bloque

Consumo: 15 mA aprox.

Adaptador de corriente: 9 VDC (regulados), 50 mA mínimo

Conector 5,0 x 2,1 mm, contacto de punta de negativo

ADVERTENCIA: ¡Use únicamente un adaptador de corriente o una pila de tipo bloque (de 9 V) para evitar cualquier daño en el equipo o anular la garantía!

CARACTERÍSTICAS TÉCNICAS

Impedancia de entrada:	1 MΩ
Impedancia de salida:	100 K
Nivel de ruido:	-85 dB, con todos los controles en su posición central
Controles:	RATE, DEPTH, INTENSITY
Indicador:	LED
Conexiones:	Entrada, salida, toma de corriente continua (9 VDC)
Consumo:	20 mA (9 VDC)
Dimensiones (An x F x Al):	120 x 95 x 56 mm 4,72" x 3,74" x 2,2"
Peso:	380 g

Adam Hall GmbH. Todos los derechos reservados. Los datos técnicos y las características funcionales del producto están sujetos a modificaciones.



DEFINE
YOUR TONE

GARANTÍA DEL FABRICANTE

La presente garantía cubre las marcas Adam Hall, LD Systems, Defender, Palmer y Cameo.

Se aplica a todos los productos distribuidos por Adam Hall.

No afecta a los derechos de garantía legal que asume el fabricante. De hecho, le concede al usuario derechos adicionales ante Adam Hall, independientes de la garantía legal.

Adam Hall garantiza que el producto que ha adquirido de Adam Hall o de un distribuidor autorizado de Adam Hall estará exento de defectos de material y fabricación, en condiciones normales de uso, durante un período de 2 o 5 años (consúltese el producto concreto) a partir de la fecha de compra.

La garantía limitada entra en vigor el día de la fecha de compra. Para tener derecho a esta garantía será necesario presentar un justificante de compra válido en el que figure la fecha de compra del producto, por ejemplo, la factura o el albarán de entrega. Si el producto que ha adquirido necesitara una reparación durante la vigencia de la garantía limitada, tendrá derecho a obtener los servicios de garantía conforme a los términos y condiciones establecidos en este documento.

Durante el periodo de garantía limitada, Adam Hall se compromete a reparar o sustituir las piezas defectuosas del producto. En caso de reparación o sustitución dentro del periodo de garantía, las piezas originales y productos retirados pasarán a ser propiedad de Adam Hall.

DEFINE
YOUR TONE



En el caso poco probable de que se produzca un fallo recurrente en el producto adquirido, Adam Hall, a su entera discreción, podrá optar por sustituir dicho producto defectuoso por otro de similares características.

Adam Hall no garantiza el funcionamiento ininterrumpido y sin fallos de este producto. Además, Adam Hall no se hace responsable de los posibles daños ocasionados por no seguir las instrucciones de uso suministradas con el producto Adam Hall. Esta garantía no se aplica - a los consumibles (baterías, etc.) - a los productos cuyo número de serie ha sido borrado, o que han quedado dañados y defectuosos debido a un accidente - en caso de defectos ocasionados por una incorrecta utilización o manipulación, o cualquier otra causa ajena

- - en caso de utilización del producto no conforme con los parámetros establecidos en la documentación facilitada con el producto
- - en caso de utilización de piezas de repuesto no fabricadas, no recomendadas ni vendidas por Adam Hall
- - si el producto ha sido modificado o reparado por personal no autorizado por Adam Hall.

Estos términos y condiciones constituyen el acuerdo de garantía íntegro y exclusivo entre usted y Adam Hall en relación con el producto Adam Hall que acaba de adquirir.

LIMITACIÓN DE RESPONSABILIDAD

Si durante el período de garantía aparecen defectos de material o de fabricación en su producto Adam Hall (de acuerdo con las garantías mencionadas en este documento), tendrá derecho exclusivamente a la reparación o sustitución del mismo. La responsabilidad máxima de Adam Hall en virtud de los términos de esta garantía está limitada al menor



DEFINE YOUR TONE

importe que resulte del precio de compra del producto, del coste de la reparación o la sustitución de las piezas que han dejado de funcionar en condiciones normales de uso. *

Adam Hall no será responsable de ningún daño causado por el producto o por el mal funcionamiento del producto, incluidas la pérdida de beneficios, la pérdida de ahorros o cualquier consecuencia derivada de dichas pérdidas. Además, Adam Hall no se hará responsable de ninguna reclamación presentada por un tercero o por el comprador original en nombre de un tercero.

Esta limitación de responsabilidad se aplicará con independencia de que se solicite una indemnización por daños y perjuicios, o se presenten reclamaciones por negligencia, contractuales o de cualquier otra índole, y no podrá ser derogada o modificada. Esta limitación de responsabilidad será efectiva incluso en el caso de que el comprador hubiese avisado previamente a Adam Hall o a alguno de sus representantes de la posibilidad de reclamar daños y perjuicios. No obstante, esta limitación de responsabilidad no tendrá efecto en caso de reclamación por daños personales.

Esta garantía limitada le otorga derechos legales específicos. Puede que posea derechos adicionales conforme a la legislación del país o Estado en el que se encuentre. Le recomendamos que consulte la legislación vigente en su país o Estado para conocer el alcance de sus derechos.

APLICACIÓN DE LA GARANTÍA

Para solicitar asistencia técnica en relación con el producto en garantía, póngase en contacto con Adam Hall o con el distribuidor autorizado donde adquirió el producto.

DEFINE
YOUR TONE



DECLARACIÓN CE DE CONFORMIDAD

Los productos distribuidos por Adam Hall cumplen (según proceda) los requisitos esenciales de las Directivas europeas 1999/5/CE (Equipos radioeléctricos y equipos terminales de telecomunicación, R&TTE), 2004/108/CE (Compatibilidad Electromagnética) y 2006/95/CE (Baja Tensión), así como las correspondientes cláusulas adicionales. Para más información consulte www.adamhall.com.

ELIMINACIÓN CORRECTA DE ESTE PRODUCTO (DESECHOS ELÉCTRICOS)



(Aplicable en la Unión Europea y en los países europeos que dispongan de un sistema de recogida selectiva)

El símbolo que aparece sobre el producto o en la documentación adjunta indica que al final de la vida útil del equipo, no deberá desecharlo con los demás residuos domésticos, con el fin de evitar posibles efectos negativos en el medio ambiente y en la salud humana debidos al vertido incontrolado de desechos. La recogida selectiva ayuda a su posterior reciclaje y fomenta la reutilización sostenible de los componentes de este equipo.

Si es un particular, póngase en contacto con el distribuidor donde adquirió este producto, o con el ayuntamiento, para informarse sobre el reciclaje adecuado de este equipo. Si es una empresa, póngase en contacto con su proveedor para informarse sobre los términos y condiciones de su contrato de compra-venta. Este producto no debe mezclarse con otros residuos industriales.



DEFINE
YOUR TONE

PROTECCIÓN MEDIOAMBIENTAL Y AHORRO ENERGÉTICO

Ahorre energía eléctrica para proteger el medio ambiente. Para ello, apague todos los aparatos eléctricos cuando no estén en uso. Además, para evitar el consumo de energía en modo En espera, desenchufe todo aparato eléctrico de la toma de corriente cuando no esté en uso.

ES

FR

DE

EN

DEFINE
YOUR TONE



DEFINE
YOUR TONE



WWW.PALMER-GERMANY.COM

PALMER IS A BRAND OF THE ADAM HALL GMBH

ADAM HALL GMBH · DAMLERSTRASSE 9

61267 NEU-ANSPACH · GERMANY

PHONE: (+49) 6081 / 94 19 - 0 · FAX: (+49) 6081 / 94 19 - 1000

WWW.ADAMHALL.COM

